

## FT12-125Ah

Valve-regulated lead-acid battery



# FRONT TERMINAL SERIES

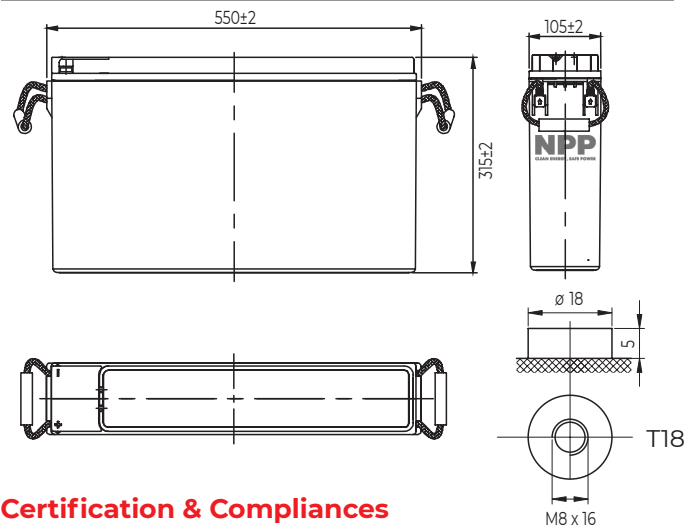
### Characteristics

Nominal voltage	12V (6 cells per unit)	
Nominal capacity at 10 hours rate/10.8V (25°C)	125Ah	
Capacity (25°C)	20 Hours rate/10.8V	132.6 Ah
	5 Hours rate/10.8V	100.5 Ah
Terminal type	T18	
Torque	12.3±2.5N.m	
Approx. internal resistance (25°C)	4.5 mΩ	
Dimensions	Length	550±2mm (21.70inch)
	Width	105±2mm (4.13inch)
	Height	315±2mm (12.40inch)
	Total height	315±2mm (12.40inch)
Design Life (stand-by)	JIS at 25°C	12 years
	Eurobat at 20°C	10/12 years
Weight	42.00kg (92.59lbs)±3%	
Nominal operating temperature	25°C±3 (77°F±5)	
Operating temperature range	Discharge	-15°C~50°C (5°F~122°F)
	Charge	-10°C~50°C (14°F~122°F)
	Storage	-20°C~50°C (-4°F~122°F)
Float charging voltage at 25°C	13.5V~13.8V	
Cyclic charging voltage at 25°C	14.5V~15.0V	
Temperature compensation	Float charge	-18mV/°C/Block
	Cycle charge	-30mV/°C/Block
Max. charging current (A)	37.5A	
Max. discharge current for 5 seconds	900A	
Self discharge rate (25°C)	≤3%/month	
Battery container ABS UL94-HB	V-0 optional	

### Overview

NPP Power Front Terminal Series batteries are mainly used in the area of communication. By adopting a new AGM separator and centralized venting system, the battery can be installed in different positions while maintaining high reliability. Available in gel technology also.

### Dimensions & Terminal Type (mm)



### Certification & Compliances



Compliant to: EUROBAT, RoHS, WEEE's and Reach.  
Manufactured according to IEC 60896-21 / 22

### Construction

Component	Positive Plate	Negative plate	Container	Separator	Electrolyte	Safety valve	Terminal
Raw material	Lead dioxide	Lead	ABS (V-0 opt.)	AGM	Sulfuric Acid	Rubber	Copper

### Constant current discharge characteristics at 25°C

(Ampere/battery)

F.V/Time	15min	30min	60min	2h	3h	4h	5h	6h	8h	10h	20h
9.60V	206	123	75.7	45.7	32.9	26.3	22.4	19.5	15.4	12.7	6.74
9.90V	201	121	74.6	45.4	32.7	26.1	22.3	19.4	15.3	12.7	6.73
10.2V	193	117	72.7	45.0	32.5	25.9	22.2	19.3	15.2	12.7	6.71
10.5V	187	114	70.4	44.3	32.3	25.8	22.0	19.1	15.1	12.6	6.67
10.8V	177	110	68.1	43.2	31.3	25.0	20.1	18.6	14.7	12.5	6.63

### Constant power discharge characteristics at 25°C

(Watts/battery)

F.V/Time	15min	30min	60min	2h	3h	4h	5h	6h	8h	10h	20h
9.60V	2260	1381	863	529	387	309	265	231	183	152	80.9
9.90V	2205	1354	850	526	385	307	264	229	182	152	80.8
10.2V	2124	1312	829	521	382	305	262	228	181	151	80.5
10.5V	2052	1280	803	513	379	303	260	226	180	150	80.1
10.8V	1943	1234	777	500	368	294	252	219	174	149	79.5

The above characteristics represent average values and can be obtained within three charge and discharge cycles. The batteries must be fully charged before testing. The data in this document is subject to change without notice and become contractual only after written confirmation. Please contact NPP Power for the latest available version.

#### NPP Power (Vietnam) Co.,Ltd

Lot A22.3, Road C4, Thanh Thanh Cong Industrial Zone,  
An Hoa Village, Trang Bang District, Tay Ninh Province,  
Vietnam

#### Guangzhou NPP Power Co, Ltd.

No.67 Lianglong Road, Huashan Town, Huadu District,  
Guangzhou, China  
Email: info@nppower.com.cn Tel. +86 20 37887 390