

NP2-200Ah

Valve-regulated lead-acid battery



GENERAL PURPOSE SERIES

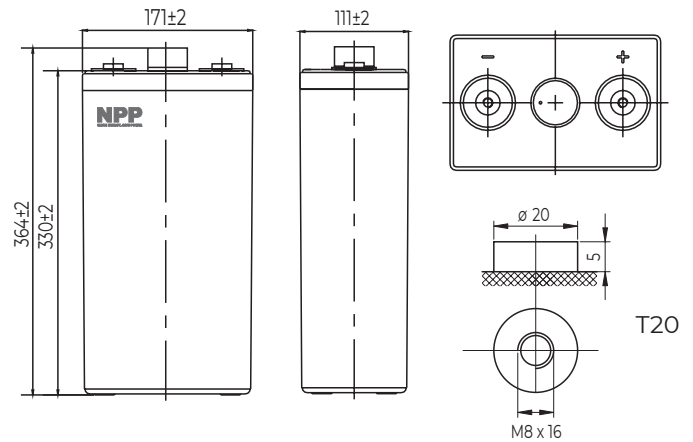
Characteristics

Nominal voltage	2V (1 cell per unit)	
Nominal capacity at 10 hours rate/1.80V (25°C)	200Ah	
Capacity (25°C)	20 Hours rate/1.80V	212Ah
	5 Hours rate/1.80V	173.5Ah
Terminal type	T20	
Torque	12.3±2.5N.m	
Approx. internal resistance (25°C)	0.8mΩ	
Dimensions	Length	171±2mm (6.73inch)
	Width	111±2mm (4.37inch)
	Height	330±2mm (12.99inch)
	Total height	364±2mm (14.33inch)
Design Life (stand-by)	JIS at 25°C	15 years
	Eurobat at 20°C	>12 years
Weight	12.50kg (27.55lbs)±3%	
Nominal operating temperature	25±3°C (77°F±5)	
Operating temperature range	Discharge	-15°C~50°C (5°F~122°F)
	Charge	-10°C~50°C (14°F~122°F)
	Storage	-20°C~50°C (-4°F~122°F)
Float charging voltage at 25°C	2.25V~2.30V	
Cyclic charging voltage at 25°C	2.40V~2.50V	
Temperature compensation	Float charge	-3 mV/°C/Cell
	Cycle charge	-5 mV/°C/Cell
Max. charging current (A)	40A	
Max. discharge current for 5 seconds	1500A	
Self discharge rate (25°C)	≤3%/month	
Battery container ABS UL94-HB	V-0 optional	

Overview

NPP Power General Purpose series batteries are designed with state-of-the-art AGM (absorbent glass mat) technology, high-performance plates and electrolyte. With excellent value and characteristics, this range is suitable for all general purpose applications.

Dimensions & Terminal Type (mm)



Certification & Compliances



Compliant to: EUROBAT, RoHS, WEEE's and Reach.
Manufactured according to IEC 60896-21 / 22

Construction

Component	Positive Plate	Negative plate	Container	Separator	Electrolyte	Safety valve	Terminal
Raw material	Lead dioxide	Lead	ABS (V-0 opt.)	AGM	Sulfuric Acid	Rubber	Copper

Constant current discharge characteristics at 25°C

(Ampere/battery)

F.V/Time	15min	30min	60min	2h	3h	4h	5h	6h	8h	10h	20h
1.60V/cell	278	182	126	73.7	53.0	42.4	36.5	31.4	24.8	20.5	10.8
1.65V/cell	271	178	122	73.3	52.7	42.2	36.3	31.2	24.6	20.4	10.8
1.70V/cell	261	173	118	72.6	52.4	41.9	36.1	31.0	24.5	20.4	10.7
1.75V/cell	252	169	115	71.5	52.0	41.6	35.8	30.8	24.3	20.2	10.7
1.80V/cell	239	163	111	69.7	50.4	40.4	34.7	29.9	23.6	20.1	10.6

Constant power discharge characteristics at 25°C

(Watts/battery)

F.V/Time	15min	30min	60min	2h	3h	4h	5h	6h	8h	10h	20h
1.60V/cell	509	340	239	142	104	83.2	71.9	61.9	49.3	40.7	21.6
1.65V/cell	497	334	232	141	103	82.7	71.5	61.5	49.0	40.6	21.5
1.70V/cell	478	323	225	140	103	82.1	71.0	61.1	48.7	40.5	21.5
1.75V/cell	462	315	218	138	102	81.5	70.5	60.7	48.4	40.3	21.3
1.80V/cell	438	304	211	135	98.9	79.1	68.4	58.9	46.9	40.0	21.2

The above characteristics represent average values and can be obtained within three charge and discharge cycles. The batteries must be fully charged before testing. The data in this document is subject to change without notice and become contractual only after written confirmation. Please contact NPP Power for the latest available version.

NPP Power (Vietnam) Co., Ltd.

Lot A22.3, Road C4, Thanh Thanh Cong Industrial Zone,
An Hoa Ward, Trang Bang Town, Tay Ninh Province,
Vietnam

Guangzhou NPP Power Co., Ltd.

No.67 Lianglong Road, Huashan Town, Huadu District,
Guangzhou, China
Email: info@nppower.com.cn Tel. +86 20 37887 390