

## NP2-600Ah

Valve-regulated lead-acid battery



# GENERAL PURPOSE SERIES

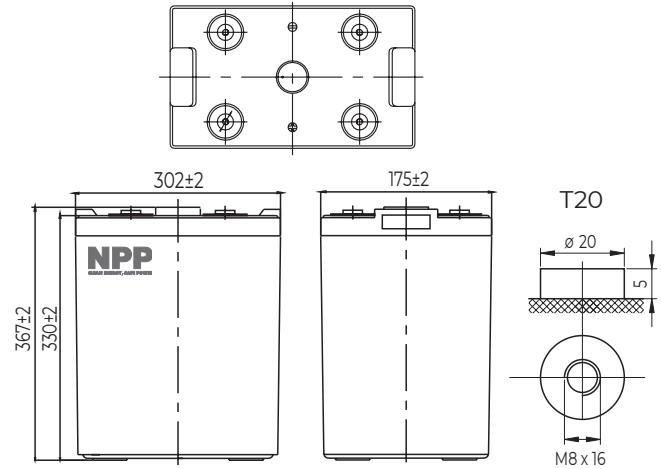
### Characteristics

Nominal voltage	2V (1 cell per unit)	
Nominal capacity at 10 hours rate/1.80V (25°C)	600Ah	
Capacity (25°C)	20 Hours rate/1.80V	636Ah
	5 Hours rate/1.80V	520Ah
Terminal type	T20	
Torque	12.3±2.5N.m	
Approx. internal resistance (25°C)	0.45mΩ	
Dimensions	Length	302±2mm (11.89inch)
	Width	175±2mm (6.89inch)
	Height	330±2mm (12.99inch)
	Total height	367±2mm (14.45inch)
Design Life (stand-by)	JIS at 25°C	15 years
	Eurobat at 20°C	>12 years
Weight	36.50kg (80.50lbs)±3%	
Nominal operating temperature	25±3°C (77°F±5)	
Operating temperature range	Discharge	-15°C~50°C (5°F~122°F)
	Charge	-10°C~50°C (14°F~122°F)
	Storage	-20°C~50°C (-4°F~122°F)
Float charging voltage at 25°C	2.25V~2.30V	
Cyclic charging voltage at 25°C	2.40V~2.50V	
Temperature compensation	Float charge	-3 mV/°C/Cell
	Cycle charge	-5 mV/°C/Cell
Max. charging current (A)	120A	
Max. discharge current for 5 seconds	3600A	
Self discharge rate (25°C)	≤3%/month	
Battery container ABS UL94-HB	V-0 optional	

### Overview

NPP Power General Purpose series batteries are designed with state-of-the-art AGM (absorbent glass mat) technology, high-performance plates and electrolyte. With excellent value and characteristics, this range is suitable for all general purpose applications.

### Dimensions & Terminal Type (mm)



### Certification & Compliances



Compliant to: EUROBAT, RoHS, WEEE's and Reach.  
Manufactured according to IEC 60896-21 / 22

### Construction

Component	Positive Plate	Negative plate	Container	Separator	Electrolyte	Safety valve	Terminal
Raw material	Lead dioxide	Lead	ABS (V-0 opt.)	AGM	Sulfuric Acid	Rubber	Copper

### Constant current discharge characteristics at 25°C

(Ampere/battery)

F.V/Time	15min	30min	60min	2h	3h	4h	5h	6h	8h	10h	20h
1.60V/cell	834	546	378	221	159	127	110	94.2	74.4	61.4	32.4
1.65V/cell	814	535	367	220	158	127	109	93.7	73.9	61.3	32.3
1.70V/cell	784	519	355	218	157	126	108	93.0	73.4	61.1	32.2
1.75V/cell	757	506	344	215	156	125	107	92.4	72.9	60.7	32.0
1.80V/cell	717	488	333	209	151	121	104	89.6	70.7	60.3	31.8

### Constant power discharge characteristics at 25°C

(Watts/battery)

F.V/Time	15min	30min	60min	2h	3h	4h	5h	6h	8h	10h	20h
1.60V/cell	1526	1021	718	427	312	250	216	186	148	122	64.7
1.65V/cell	1490	1001	697	424	310	248	215	185	147	122	64.6
1.70V/cell	1435	970	675	420	308	246	213	183	146	122	64.4
1.75V/cell	1386	946	654	414	306	245	212	182	145	121	64.0
1.80V/cell	1313	912	632	404	297	237	205	177	141	120	63.6

The above characteristics represent average values and can be obtained within three charge and discharge cycles. The batteries must be fully charged before testing. The data in this document is subject to change without notice and become contractual only after written confirmation. Please contact NPP Power for the latest available version.

#### NPP Power (Vietnam) Co.,Ltd

Lot A22.3, Road C4, Thanh Thanh Cong Industrial Zone,  
An Hoa Village, Trang Bang District, Tay Ninh Province,  
Vietnam

#### Guangzhou NPP Power Co, Ltd.

No.67 Lianglong Road, Huashan Town, Huadu District,  
Guangzhou, China  
Email: info@nppower.com.cn Tel. +86 20 37887 390