

NP6-150Ah

Valve-regulated lead-acid battery



GENERAL PURPOSE SERIES

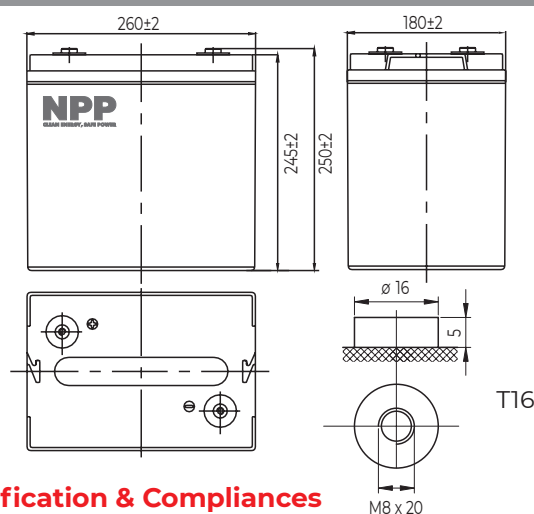
Characteristics

Nominal voltage	6V (3 cells per unit)	
Nominal capacity at 10 hours rate/5.4V (25°C)	150Ah	
Capacity (25°C)	20 Hours rate/5.4V	159Ah
	5 Hours rate/5.4V	128Ah
Terminal type	T16	
Torque	12.3±2.5N.m	
Approx. internal resistance (25°C)	2.5mΩ	
Dimensions	Length	260±2mm (10.24inch)
	Width	180±2mm (7.09inch)
	Height	245±2mm (9.65inch)
	Total height	250±2mm (9.84inch)
Design Life (stand-by)	JIS at 25°C	10 years
	Eurobat at 20°C	10-12 years
Weight	24.00kg (52.90lbs)±3%	
Nominal operating temperature	25°C±3 (77±5°F)	
Operating temperature range	Discharge	-15°C~50°C (5°F~122°F)
	Charge	-10°C~50°C (14°F~122°F)
	Storage	-20°C~50°C (-4°F~122°F)
Float charging voltage at 25°C	6.75V~6.90V	
Cyclic charging voltage at 25°C	7.25V~7.50V	
Temperature compensation	Float charge	-9 mV/°C/Block
	Cycle charge	-15 mV/°C/Block
Max. charging current (A)	45A	
Max. discharge current for 5 seconds	1200A	
Self discharge rate (25°C)	≤3%/month	
Battery container ABS UL94-HB	V-0 optional	

Overview

NPP Power General Purpose series batteries are designed with state-of-the-art AGM (absorbent glass mat) technology, high-performance plates and electrolyte. With excellent value and characteristics, this range is suitable for all general purpose applications.

Dimensions & Terminal Type (mm)



Certification & Compliances



Compliant to: EUROBAT, RoHS, WEEE's and Reach.
Manufactured according to IEC 60896-21 / 22

Construction

Component	Positive Plate	Negative plate	Container	Separator	Electrolyte	Safety valve	Terminal
Raw material	Lead dioxide	Lead	ABS (V-0 opt.)	AGM	Sulfuric Acid	Rubber	Copper

Constant current discharge characteristics at 25°C

(Ampere/battery)

F.V/Time	10min	15min	30min	60min	2h	3h	4h	5h	8h	10h	20h
4.80V	327	252	151	92.7	54.8	39.5	31.5	26.9	18.5	15.3	8.09
4.95V	317	246	148	91.3	54.5	39.2	31.3	26.8	18.4	15.2	8.08
5.10V	304	237	143	89.0	54.0	39.0	31.1	26.6	18.3	15.2	8.05
5.25V	291	229	140	86.2	53.2	38.7	30.9	26.4	18.2	15.1	8.01
5.40V	275	217	135	83.4	51.8	37.5	30.0	25.6	17.6	15.0	7.95

Constant power discharge characteristics at 25°C

(Watts/battery)

F.V/Time	10min	15min	30min	60min	2h	3h	4h	5h	8h	10h	20h
4.80V	1766	1383	846	528	317	232	185	159	110	91.2	48.6
4.95V	1713	1350	829	520	315	231	184	158	109	91.0	48.5
5.10V	1642	1300	803	507	313	229	183	157	109	90.7	48.3
5.25V	1572	1256	784	491	308	228	182	156	108	90.2	48.0
5.40V	1483	1190	755	476	300	221	176	151	105	89.6	47.7

The above characteristics represent average values and can be obtained within three charge and discharge cycles. The batteries must be fully charged before testing. The data in this document is subject to change without notice and become contractual only after written confirmation. Please contact NPP Power for the latest available version.

NPP Power (Vietnam) Co.,Ltd

Lot A22.3, Road C4, Thanh Thanh Cong Industrial Zone,
An Hoa Village, Trang Bang District, Tay Ninh Province,
Vietnam

Guangzhou NPP Power Co, Ltd.

No.67 Lianglong Road, Huashan Town, Huadu District,
Guangzhou, China
Email: info@nppower.com.cn Tel. +86 20 37887 390