

NP6-200Ah

Valve-regulated lead-acid battery



GENERAL PURPOSE SERIES

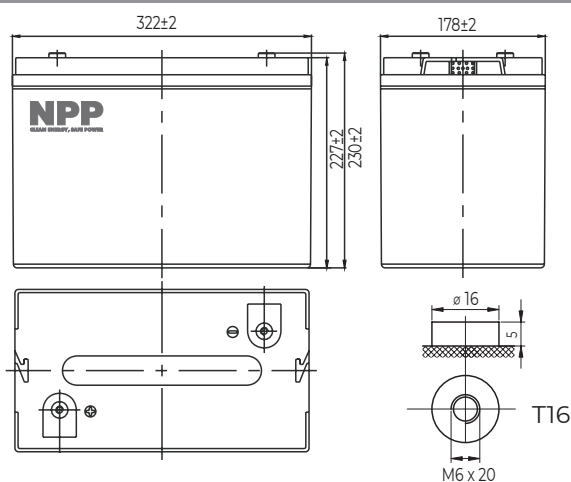
Characteristics

Nominal voltage	6V (3 cells per unit)	
Nominal capacity at 10 hours rate/5.4V (25°C)	200Ah	
Capacity (25°C)	20 Hours rate/5.4V	212Ah
	5 Hours rate/5.4V	170.5Ah
Terminal type	T16	
Torque	12.3±2.5N.m	
Approx. internal resistance (25°C)	2.0mΩ	
Dimensions	Length	322±2mm (12.68inch)
	Width	178±2mm (6.65inch)
	Height	227±2mm (8.94inch)
	Total height	230±2mm (9.06inch)
Design Life (stand-by)	JIS at 25°C	10 years
	Eurobat at 20°C	10-12 years
Weight	29.00kg (63.90lbs)±3%	
Nominal operating temperature	25°C±3 (77±5°F)	
Operating temperature range	Discharge	-15°C~50°C (5°F~122°F)
	Charge	-10°C~50°C (14°F~122°F)
	Storage	-20°C~50°C (-4°F~122°F)
Float charging voltage at 25°C	6.75V~6.90V	
Cyclic charging voltage at 25°C	7.25V~7.50V	
Temperature compensation	Float charge	-9 mV/°C/Block
	Cycle charge	-15 mV/°C/Block
Max. charging current (A)	60A	
Max. discharge current for 5 seconds	1400A	
Self discharge rate (25°C)	≤3%/month	
Battery container ABS UL94-HB	V-0 optional	

Overview

NPP Power General Purpose series batteries are designed with state-of-the-art AGM (absorbent glass mat) technology, high-performance plates and electrolyte. With excellent value and characteristics, this range is suitable for all general purpose applications.

Dimensions & Terminal Type (mm)



Certification & Compliances



Compliant to: EUROBAT, RoHS, WEEE's and Reach.
Manufactured according to IEC 60896-21 / 22

Construction

Component	Positive Plate	Negative plate	Container	Separator	Electrolyte	Safety valve	Terminal
Raw material	Lead dioxide	Lead	ABS (V-0 opt.)	AGM	Sulfuric Acid	Rubber	Copper

Constant current discharge characteristics at 25°C

(Ampere/battery)

F.V/Time	10min	15min	30min	60min	2h	3h	4h	5h	8h	10h	20h
4.80V	436	336	201	124	73.1	52.6	42.0	35.9	24.7	20.4	10.8
4.95V	423	328	197	122	72.6	52.3	41.8	35.7	24.5	20.3	10.8
5.10V	405	316	191	119	72.0	52.0	41.5	35.4	24.4	20.3	10.7
5.25V	388	305	186	115	70.9	51.6	41.2	35.2	24.2	20.1	10.7
5.40V	366	289	179	111	69.1	50.1	40.0	34.1	23.5	20.0	10.6

Constant power discharge characteristics at 25°C

(Watts/battery)

F.V/Time	10min	15min	30min	60min	2h	3h	4h	5h	8h	10h	20h
4.80V	2354	1845	1128	705	423	309	247	212	147	122	64.7
4.95V	2284	1800	1105	694	421	308	246	211	146	121	64.6
5.10V	2190	1734	1071	676	417	306	244	209	145	121	64.4
5.25V	2095	1675	1045	655	411	303	242	208	144	120	64.0
5.40V	1978	1586	1007	634	400	294	235	202	139	119	63.6

The above characteristics represent average values and can be obtained within three charge and discharge cycles. The batteries must be fully charged before testing. The data in this document is subject to change without notice and become contractual only after written confirmation. Please contact NPP Power for the latest available version.

NPP Power (Vietnam) Co.,Ltd

Lot A22.3, Road C4, Thanh Thanh Cong Industrial Zone,
An Hoa Village, Trang Bang District, Tay Ninh Province,
Vietnam

Guangzhou NPP Power Co, Ltd.

No.67 Lianglong Road, Huashan Town, Huadu District,
Guangzhou, China
Email: info@nppower.com.cn Tel. +86 20 37887 390