

NPD12-150Ah

Valve-regulated lead-acid battery



DEEP CYCLE SERIES

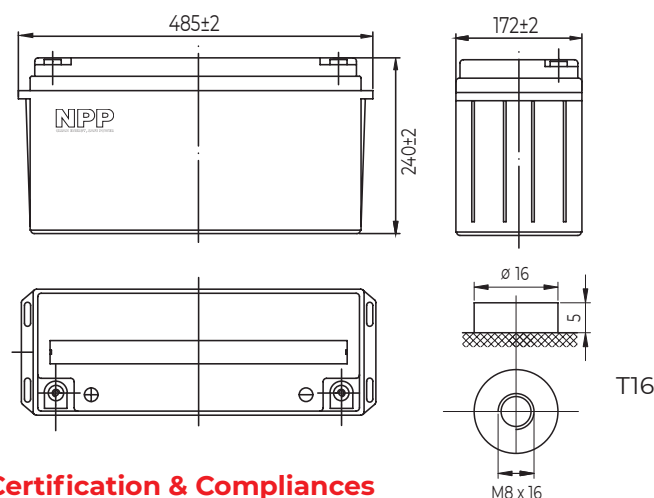
Characteristics

Nominal voltage	12V (6 cell per unit)	
Nominal capacity at 10 hours rate/10.8V (25°C)	154Ah	
Capacity (25°C)	20 Hours rate/10.8V	163.2Ah
	5 Hours rate/10.8V	119.5Ah
Terminal type	T16	
Torque	12.3±2.5N.m	
Approx. internal resistance (25°C)	3.5 mΩ	
Dimensions	Length	485±2mm (19.09inch)
	Width	172±2mm (6.77inch)
	Height	240±2mm (9.45inch)
	Total height	240±2mm (9.45inch)
Design Life (stand-by)	JIS at 25°C	10 years
	Eurobat at 20°C	10/12 years
Weight	44.50kg (98.10 lbs)±3%	
Nominal operating temperature	25°C±3 (77±5°F)	
Operating temperature range	Discharge	-15°C~50°C (5°F~122°F)
	Charge	-10°C~50°C (14°F~122°F)
	Storage	-20°C~50°C (-4°F~122°F)
Float charging voltage at 25°C	13.5V~13.8V	
Cyclic charging voltage at 25°C	14.5V~15.0V	
Temperature compensation	Float charge	-18 mV/°C/Block
	Cycle charge	-30 mV/°C/Block
Max. charging current (A)	45.0A	
Max. discharge current for 5 seconds	1200A	
Self discharge rate (25°C)	≤3%/month	
Battery container ABS UL94-HB	V-0 optional	

Overview

NPP Power Deep Cycle Series are manufactured specifically to provide outstanding performance in deep cycling applications. The batteries are designed using enhanced alloy contents plates and active paste materials.

Dimensions & Terminal Type (mm)



Certification & Compliances



Compliant to: EUROBAT, RoHS, WEEE's and Reach.
Manufactured according to IEC 60896-21 / 22

Construction

Component	Positive Plate	Negative plate	Container	Separator	Electrolyte	Safety valve	Terminal
Raw material	Lead dioxide	Lead	ABS (V-0 opt.)	AGM	Sulfuric Acid	Rubber	Copper

Constant current discharge characteristics at 25°C

(Ampere/battery)

F.V/Time	10min	15min	30min	60min	2hr	3hr	4hr	5hr	8hr	10hr	20hr
9.60V	336	259	155	95.2	56.3	40.5	32.4	27.6	19.0	15.7	8.31
9.90V	326	253	152	93.7	55.9	40.3	32.2	27.5	18.9	15.6	8.29
10.2V	312	243	147	91.4	55.4	40.0	31.9	27.3	18.8	15.6	8.27
10.5V	299	235	143	88.5	54.6	39.7	31.7	27.1	18.6	15.5	8.22
10.8V	282	222	138	85.7	53.2	38.5	30.8	26.3	18.1	15.4	8.16

Constant power discharge characteristics at 25°C

(Watts/battery)

F.V/Time	10min	15min	30min	60min	2hr	3hr	4hr	5hr	8hr	10hr	20hr
9.60V	3626	2841	1737	1085	652	477	381	327	226	187	99.7
9.90V	3517	2773	1702	1069	648	474	378	325	224	187	99.5
10.2V	3372	2670	1650	1042	642	471	376	323	223	186	99.2
10.5V	3227	2579	1610	1009	632	467	373	320	221	185	98.6
10.8V	3046	2443	1551	976	616	453	362	311	215	184	97.9

The above characteristics represent average values and can be obtained within three charge and discharge cycles. The batteries must be fully charged before testing. The data in this document is subject to change without notice and become contractual only after written confirmation. Please contact NPP Power for the latest available version.

NPP Power (Vietnam) Co.,Ltd

Lot A22.3, Road C4, Thanh Thanh Cong Industrial Zone,
An Hoa Village, Trang Bang District, Tay Ninh Province,
Vietnam

Guangzhou NPP Power Co, Ltd.

No.67 Lianglong Road, Huashan Town, Huadu District,
Guangzhou, China
Email: info@nppower.com.cn Tel. +86 20 37887 390