

NPD2-1000Ah

Valve-regulated lead-acid battery



DEEP CYCLE SERIES

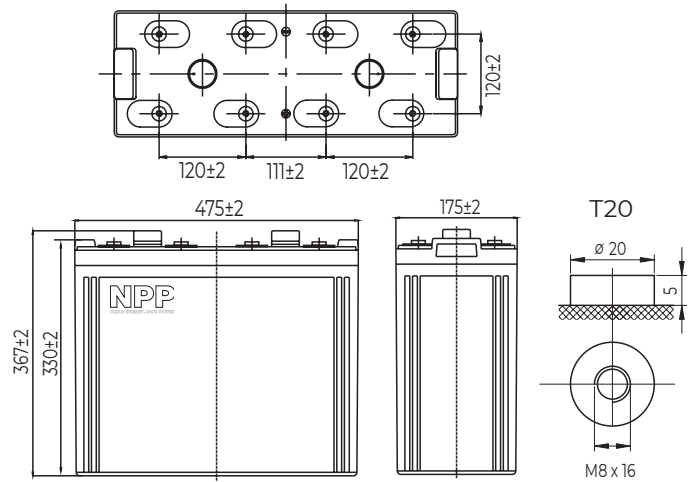
Characteristics

Nominal voltage	2V (1 cell per unit)	
Nominal capacity at 10 hours rate/1.8V (25°C)	1060Ah	
Capacity (25°C)	20 Hours rate/1.8V	1114Ah
	5 Hours rate/1.8V	910Ah
Terminal type	T20	
Torque	12.3±2.5N.m	
Approx. internal resistance (25°C)	0.28 mΩ	
Dimensions	Length	475±2mm (18.70inch)
	Width	175±2mm (6.89inch)
	Height	330±2mm (12.99inch)
	Total height	367±2mm (14.45inch)
Design Life (stand-by)	JIS at 25°C	15 years
	Eurobat at 20°C	>12 years
Weight	63.00kg (138.90lbs)±3%	
Nominal operating temperature	25°C±3 (77±5°F)	
Operating temperature range	Discharge	-15°C~50°C (5°F~122°F)
	Charge	-10°C~50°C (14°F~122°F)
	Storage	-20°C~50°C (-4°F~122°F)
Float charging voltage at 25°C	2.25V~2.30V	
Cyclic charging voltage at 25°C	2.40V~2.50V	
Temperature compensation	Float charge	-3 mV/°C/Cell
	Cycle charge	-5 mV/°C/Cell
Max. charging current (A)	200.0A	
Max. discharge current for 5 seconds	5500A	
Self discharge rate (25°C)	≤3%/month	
Battery container ABS UL94-HB	V-0 optional	

Overview

NPP Power Deep Cycle Series are manufactured specifically to provide outstanding performance in deep cycling applications. The batteries are designed using enhanced alloy contents plates and active paste materials.

Dimensions & Terminal Type (mm)



Certification & Compliances



Compliant to: EUROBAT, RoHS, WEEE's and Reach.
Manufactured according to IEC 60896-21 / 22

Construction

Component	Positive Plate	Negative plate	Container	Separator	Electrolyte	Safety valve	Terminal
Raw material	Lead dioxide	Lead	ABS (V-0 opt.)	AGM	Sulfuric Acid	Rubber	Copper

Constant current discharge characteristics at 25°C

(Ampere/battery)

F.V/Time	15min	30min	60min	2hr	3hr	4hr	5hr	6hr	8hr	10hr	20hr
1.60V/cell	1460	956	662	387	278	223	192	165	130	107	56.7
1.65V/cell	1424	936	642	385	277	221	191	164	129	107	56.5
1.70V/cell	1372	908	622	381	275	220	189	163	128	107	56.4
1.75V/cell	1325	886	602	375	273	218	188	162	128	106	56.0
1.80V/cell	1255	853	582	366	265	212	182	157	124	106	55.7

Constant power discharge characteristics at 25°C

(Watts/battery)

F.V/Time	15min	30min	60min	2hr	3hr	4hr	5hr	6hr	8hr	10hr	20hr
1.60V/cell	2671	1787	1257	747	546	437	378	325	259	214	113
1.65V/cell	2607	1751	1219	742	543	434	375	323	257	213	113
1.70V/cell	2511	1697	1181	736	539	431	373	321	256	213	113
1.75V/cell	2425	1656	1144	725	535	428	370	319	254	211	112
1.80V/cell	2297	1596	1106	706	519	415	359	309	246	210	111

The above characteristics represent average values and can be obtained within three charge and discharge cycles. The batteries must be fully charged before testing. The data in this document is subject to change without notice and become contractual only after written confirmation. Please contact NPP Power for the latest available version.

NPP Power (Vietnam) Co.,Ltd

Lot A22.3, Road C4, Thanh Thanh Cong Industrial Zone,
An Hoa Village, Trang Bang District, Tay Ninh Province,
Vietnam

Guangzhou NPP Power Co, Ltd.

No.67 Lianglong Road, Huashan Town, Huadu District,
Guangzhou, China
Email: info@nppower.com.cn Tel. +86 20 37887 390