



## NPD2-200Ah

Valve-regulated lead-acid battery

## DEEP CYCLE SERIES

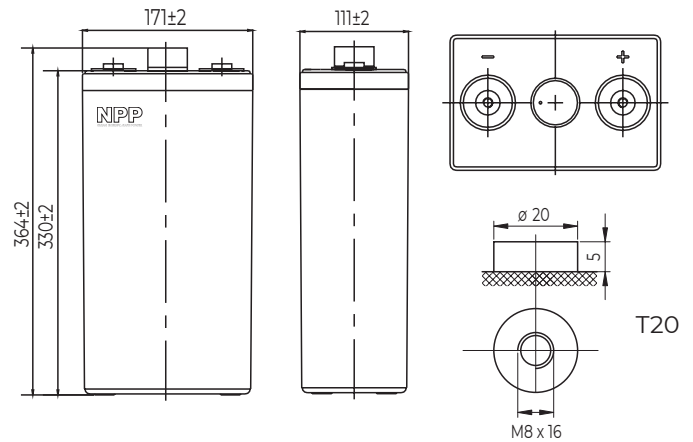
### Characteristics

Nominal voltage	2V (1 cell per unit)	
Nominal capacity at 10 hours rate/1.8V (25°C)	211Ah	
Capacity (25°C)	20 Hours rate/1.8V	222Ah
	5 Hours rate/1.8V	182.5Ah
Terminal type	T20	
Torque	12.3±2.5N.m	
Approx. internal resistance (25°C)	0.9 mΩ	
Dimensions	Length	171±2mm (6.73inch)
	Width	111±2mm (4.37inch)
	Height	330±2mm (12.99inch)
	Total height	364±2mm (14.33inch)
Design Life (stand-by)	JIS at 25°C	15 years
	Eurobat at 20°C	>12 years
Weight	14.00kg (30.90lbs)±3%	
Nominal operating temperature	25°C±3 (77±5°F)	
Operating temperature range	Discharge	-15°C~50°C (5°F~122°F)
	Charge	-10°C~50°C (14°F~122°F)
	Storage	-20°C~50°C (-4°F~122°F)
Float charging voltage at 25°C	2.25V~2.30V	
Cyclic charging voltage at 25°C	2.40V~2.50V	
Temperature compensation	Float charge	-3 mV/°C/Cell)
	Cycle charge	-5 mV/°C/Cell)
Max. charging current (A)	40.0A	
Max. discharge current for 5 seconds	1500A	
Self discharge rate (25°C)	≤3%/month	
Battery container ABS UL94-HB	V-0 optional	

### Overview

NPP Power Deep Cycle Series are manufactured specifically to provide outstanding performance in deep cycling applications. The batteries are designed using enhanced alloy contents plates and active paste materials.

### Dimensions & Terminal Type (mm)



### Certification & Compliances



Compliant to: EUROBAT, RoHS, WEEE's and Reach.  
Manufactured according to IEC 60896-21 / 22

### Construction

Component	Positive Plate	Negative plate	Container	Separator	Electrolyte	Safety valve	Terminal
Raw material	Lead dioxide	Lead	ABS (V-0 opt.)	AGM	Sulfuric Acid	Rubber	Copper

### Constant current discharge characteristics at 25°C

(Ampere/battery)

F.V/Time	15min	30min	60min	2hr	3hr	4hr	5hr	6hr	8hr	10hr	20hr
1.60V/cell	292	191	132	77.4	55.7	44.6	38.3	33.0	26.0	21.5	11.3
1.65V/cell	285	187	128	76.9	55.4	44.3	38.1	32.8	25.9	21.4	11.3
1.70V/cell	274	182	124	76.2	55.0	44.0	37.9	32.6	25.7	21.4	11.3
1.75V/cell	265	177	120	75.1	54.6	43.7	37.6	32.3	25.5	21.3	11.2
1.80V/cell	251	171	116	73.2	53.0	42.4	36.5	31.4	24.7	21.1	11.1

### Constant power discharge characteristics at 25°C

(Watts/battery)

F.V/Time	15min	30min	60min	2hr	3hr	4hr	5hr	6hr	8hr	10hr	20hr
1.60V/cell	534	357	251	149	109	87.3	75.5	65.0	51.8	42.8	22.7
1.65V/cell	521	350	244	148	109	86.8	75.1	64.6	51.5	42.7	22.6
1.70V/cell	502	339	236	147	108	86.2	74.6	64.2	51.1	42.5	22.5
1.75V/cell	485	331	229	145	107	85.6	74.1	63.7	50.8	42.3	22.4
1.80V/cell	459	319	221	141	104	83.0	71.8	61.8	49.3	42.0	22.3

The above characteristics represent average values and can be obtained within three charge and discharge cycles. The batteries must be fully charged before testing. The data in this document is subject to change without notice and become contractual only after written confirmation. Please contact NPP Power for the latest available version.

#### NPP Power (Vietnam) Co.,Ltd

Lot A22.3, Road C4, Thanh Thanh Cong Industrial Zone,  
An Hoa Village, Trang Bang District, Tay Ninh Province,  
Vietnam

#### Guangzhou NPP Power Co, Ltd.

No.67 Lianglong Road, Huashan Town, Huadu District,  
Guangzhou, China  
Email: info@nppower.com.cn Tel. +86 20 37887 390