

NPD2-300Ah

Valve-regulated lead-acid battery



DEEP CYCLE SERIES

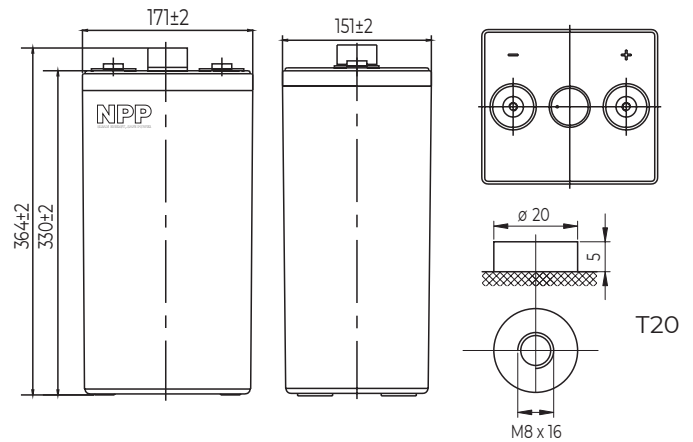
Characteristics

Nominal voltage	2V (1 cell per unit)	
Nominal capacity at 10 hours rate/1.8V (25°C)	322Ah	
Capacity (25°C)	20 Hours rate/1.8V	340Ah
	5 Hours rate/1.8V	278Ah
Terminal type	T20	
Torque	12.3±2.5N.m	
Approx. internal resistance (25°C)	0.75 mΩ	
Dimensions	Length	171±2mm (6.73inch)
	Width	151±2mm (5.94inch)
	Height	330±2mm (12.99inch)
	Total height	364±2mm (14.33inch)
Design Life (stand-by)	JIS at 25°C	15 years
	Eurobat at 20°C	>12 years
Weight	19.50kg (43.00lbs)±3%	
Nominal operating temperature	25°C±3 (77±5°F)	
Operating temperature range	Discharge	-15°C~50°C (5°F~122°F)
	Charge	-10°C~50°C (14°F~122°F)
	Storage	-20°C~50°C (-4°F~122°F)
Float charging voltage at 25°C	2.25V~2.30V	
Cyclic charging voltage at 25°C	2.40V~2.50V	
Temperature compensation	Float charge	-3 mV/°C/Cell
	Cycle charge	-5 mV/°C/Cell
Max. charging current (A)	60.0A	
Max. discharge current for 5 seconds	2100A	
Self discharge rate (25°C)	≤3%/month	
Battery container ABS UL94-HB	V-0 optional	

Overview

NPP Power Deep Cycle Series are manufactured specifically to provide outstanding performance in deep cycling applications. The batteries are designed using enhanced alloy contents plates and active paste materials.

Dimensions & Terminal Type (mm)



Certification & Compliances



Compliant to: EUROBAT, RoHS, WEEE's and Reach.
Manufactured according to IEC 60896-21 / 22

Construction

Component	Positive Plate	Negative plate	Container	Separator	Electrolyte	Safety valve	Terminal
Raw material	Lead dioxide	Lead	ABS (V-0 opt.)	AGM	Sulfuric Acid	Rubber	Copper

Constant current discharge characteristics at 25°C

(Ampere/battery)

F.V/Time	15min	30min	60min	2hr	3hr	4hr	5hr	6hr	8hr	10hr	20hr
1.60V/cell	445	291	202	118	84.9	67.9	58.4	50.3	39.7	32.7	17.3
1.65V/cell	434	285	196	117	84.4	67.5	58.1	50.0	39.4	32.7	17.2
1.70V/cell	418	277	190	116	83.8	67.0	57.7	49.6	39.2	32.6	17.2
1.75V/cell	404	270	183	114	83.2	66.6	57.3	49.3	38.9	32.4	17.1
1.80V/cell	383	260	177	112	80.7	64.6	55.6	47.8	37.7	32.2	17.0

Constant power discharge characteristics at 25°C

(Watts/battery)

F.V/Time	15min	30min	60min	2hr	3hr	4hr	5hr	6hr	8hr	10hr	20hr
1.60V/cell	814	545	383	228	166	133	115	99.0	78.9	65.2	34.5
1.65V/cell	794	534	372	226	165	132	114	98.4	78.5	65.0	34.5
1.70V/cell	765	517	360	224	164	131	114	97.8	77.9	64.8	34.4
1.75V/cell	739	505	349	221	163	130	113	97.1	77.4	64.4	34.2
1.80V/cell	700	486	337	215	158	127	109	94.2	75.1	64.0	33.9

The above characteristics represent average values and can be obtained within three charge and discharge cycles. The batteries must be fully charged before testing. The data in this document is subject to change without notice and become contractual only after written confirmation. Please contact NPP Power for the latest available version.

NPP Power (Vietnam) Co.,Ltd

Lot A22.3, Road C4, Thanh Thanh Cong Industrial Zone,
An Hoa Village, Trang Bang District, Tay Ninh Province,
Vietnam

Guangzhou NPP Power Co, Ltd.

No.67 Lianglong Road, Huashan Town, Huadu District,
Guangzhou, China
Email: info@nppower.com.cn Tel. +86 20 37887 390