



NPG6-200Ah

Valve-regulated lead-acid battery



DEEP CYCLE GEL SERIES

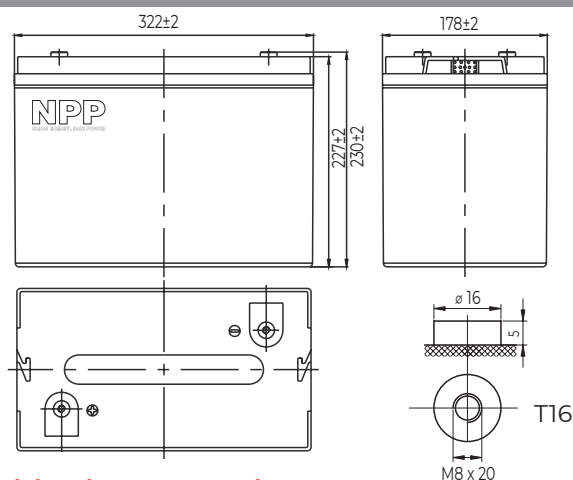
Characteristics

Nominal voltage	6V (3 cells per unit)	
Nominal capacity at 10 hours rate/5.4V (25°C)	200Ah	
Capacity (25°C)	20 Hours rate/5.4V	212Ah
	5 Hours rate/5.4V	165Ah
Terminal type	T16	
Torque	12.3±2.5N.m	
Approx. internal resistance (25°C)	2.0 mΩ	
Dimensions	Length	322±2mm (12.68inch)
	Width	178±2mm (7.01inch)
	Height	227±2mm (8.94inch)
	Total height	230±2mm (9.06inch)
Design Life (stand-by)	JIS at 25°C	12 years
	Eurobat at 20°C	10/12 years
Weight	30.50kg (67.20lbs)±3%	
Nominal operating temperature	25±3°C (77°F±5)	
Operating temperature range	Discharge	-15°C~50°C (5°F~122°F)
	Charge	-10°C~50°C (14°F~122°F)
	Storage	-20°C~50°C (-4°F~122°F)
Float charging voltage at 25°C	6.75V~6.90V	
Cyclic charging voltage at 25°C	7.20V~7.35V	
Temperature compensation	Float charge	-9 mV/°C/Block
	Cycle charge	-15 mV/°C/Block
Max. charging current (A)	40A	
Max. discharge current for 5 seconds	1400A	
Self discharge rate (25°C)	≤3%/month	
Battery container ABS UL94-HB	V-0 optional	

Overview

NPP Power AGM GEL Series are manufactured following the highest demands in the deep cycle and renewable energy applications. The batteries use colloidal or foamed silica gel to immobilize the electrolyte, which further enhances the cycling stability. Available in top and front terminal types.

Dimensions & Terminal Type (mm)



Certification & Compliances



Compliant to: EUROBAT, RoHS, WEEE's and Reach.
Manufactured according to IEC 60896-21 / 22

Construction

Component	Positive Plate	Negative plate	Container	Separator	Electrolyte	Safety valve	Terminal
Raw material	Lead dioxide	Lead	ABS (V-0 opt.)	AGM	Sulfuric Acid Gel	Rubber	Copper

Constant current discharge characteristics at 25°C

(Ampere/battery)

F.V/Time	10min	15min	30min	60min	2h	3h	4h	5h	8h	10h	20h
4.80V	390	320	194	120	73.1	52.0	40.8	34.7	24.5	20.4	10.8
4.95V	378	312	190	118	72.6	51.7	40.6	34.5	24.3	20.3	10.8
5.10V	363	301	184	115	72.0	51.4	40.3	34.2	24.2	20.3	10.7
5.25V	347	291	180	112	70.9	51.0	40.0	34.0	24.0	20.1	10.7
5.40V	328	275	173	108	69.1	50.0	38.8	33.0	23.3	20.0	10.6

Constant power discharge characteristics at 25°C

(Watts/battery)

F.V/Time	10min	15min	30min	60min	2h	3h	4h	5h	8h	10h	20h
4.80V	2106	1757	1088	684	423	306	240	205	145	122	64.7
4.95V	2043	1715	1067	674	421	304	238	204	145	121	64.6
5.10V	1959	1651	1034	657	417	302	237	202	144	121	64.4
5.25V	1874	1595	1009	636	411	300	235	201	143	120	64.0
5.40V	1769	1511	972	616	400	294	228	195	138	119	63.6

The above characteristics represent average values and can be obtained within three charge and discharge cycles. The batteries must be fully charged before testing. The data in this document is subject to change without notice and become contractual only after written confirmation. Please contact NPP Power for the latest available version.

NPP Power (Vietnam) Co., Ltd.

Lot A22.3, Road C4, Thanh Thanh Cong Industrial Zone,
An Hoa Ward, Trang Bang Town, Tay Ninh Province,
Vietnam

Guangzhou NPP Power Co., Ltd.

No.67 Lianglong Road, Huashan Town, Huadu District,
Guangzhou, China
Email: info@nppower.com.cn Tel. +86 20 37887 390