

NPD12-55Ah

Valve-regulated lead-acid battery



DEEP CYCLE SERIES

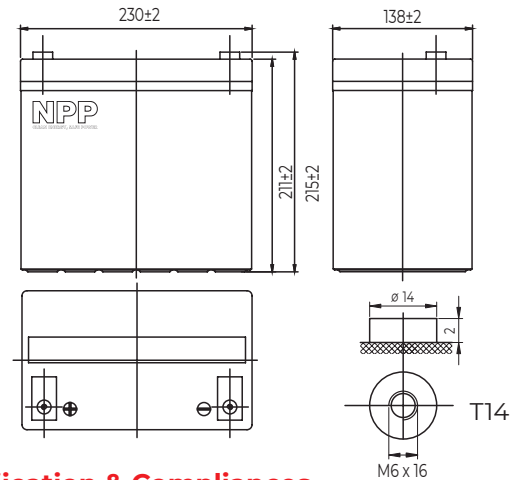
Characteristics

Nominal voltage	12V (6 cell per unit)	
Nominal capacity at 10 hours rate/10.8V (25°C)	54 Ah	
Capacity (25°C)	20 Hours rate/10.8V	57.2 Ah
	5 Hours rate/10.8V	46.1 Ah
Terminal type	T14	
Torque	5.1±0.6 N.m	
Approx. internal resistance (25°C)	6.5 mΩ	
Dimensions	Length	230±2mm (9.06inch)
	Width	138±2mm (5.43inch)
	Height	211±2mm (8.31inch)
	Total height	215±2mm (8.46inch)
Design Life (stand-by)	JIS at 25°C	10 years
	Eurobat at 20°C	10/12 years
Weight	17.20kg (37.92lbs)±3%	
Nominal operating temperature	25°C±3 (77±5°F)	
Operating temperature range	Discharge	-15°C~50°C (5°F~122°F)
	Charge	-10°C~50°C (14°F~122°F)
	Storage	-20°C~50°C (-4°F~122°F)
Float charging voltage at 25°C	13.5V~13.8V	
Cyclic charging voltage at 25°C	14.5V~15.0V	
Temperature compensation	Float charge	-18 mV/°C/Block
	Cycle charge	-30 mV/°C/Block
Max. charging current (A)	15A	
Max. discharge current for 5 seconds	500A	
Self discharge rate (25°C)	≤3%/month	
Battery container ABS UL94-HB	V-0 optional	

Overview

NPP Power Deep Cycle Series are manufactured specifically to provide outstanding performance in deep cycling applications. The batteries are designed using enhanced alloy contents plates and active paste materials.

Dimensions & Terminal Type (mm)



Certification & Compliances



Compliant to: EUROBAT, RoHS, WEEE's and Reach.
Manufactured according to IEC 60896-21 / 22

Construction

Component	Positive Plate	Negative plate	Container	Separator	Electrolyte	Safety valve	Terminal
Raw material	Lead dioxide	Lead	ABS (V-0 opt.)	AGM	Sulfuric Acid	Rubber	Copper

Constant current discharge characteristics at 25°C

(Ampere/battery)

F.V/Time	10min	15min	30min	60min	2hr	3hr	4hr	5hr	8hr	10hr	20hr
9.60V	118	90.7	54.3	33.4	19.7	14.2	11.3	9.69	6.66	5.50	2.91
9.90V	114	88.5	53.2	32.9	19.6	14.1	11.3	9.64	6.63	5.49	2.91
10.2V	109	85.3	51.6	32.0	19.4	14.0	11.2	9.57	6.58	5.47	2.90
10.5V	105	82.4	50.3	31.0	19.1	13.9	11.1	9.50	6.53	5.44	2.88
10.8V	98.9	78.0	48.5	30.0	18.7	13.5	10.8	9.22	6.34	5.40	2.86

Constant power discharge characteristics at 25°C

(Watts/battery)

F.V/Time	10min	15min	30min	60min	2hr	3hr	4hr	5hr	8hr	10hr	20hr
9.60V	1271	996	609	380	228	167	133	115	79.2	65.6	35.0
9.90V	1233	972	597	375	227	166	133	114	78.7	65.5	34.9
10.2V	1182	936	578	365	225	165	132	113	78.2	65.3	34.8
10.5V	1132	904	564	354	222	164	131	112	77.6	64.9	34.6
10.8V	1068	857	544	342	216	159	127	109	75.3	64.5	34.3

The above characteristics represent average values and can be obtained within three charge and discharge cycles. The batteries must be fully charged before testing. The data in this document is subject to change without notice and become contractual only after written confirmation. Please contact NPP Power for the latest available version.

NPP Power (Vietnam) Co, Ltd

Lot A22.3, Road C4, Thanh Thanh Cong Industrial Zone,
An Hoa Village, Trang Bang District, Tay Ninh Province,
Vietnam

Guangzhou NPP Power Co, Ltd.

No.67 Lianglong Road, Huashan Town, Huadu District,
Guangzhou, China
Email: info@nppower.com.cn Tel. +86 20 37887 390